

**IKG Punjab Technical University
(Mohali Campus-II)**

Ref. IKGPTU/MC-II/1164

Date 04/06/2019

To

Open Invitation
www.ptu.ac.in

Subject:- Quotations for Drawing Boards and Stools.

Dear Sir/ Madam

IKG Punjab Technical University Mohali Campus-II, Sector 115, Mohali intends to purchase Drawing boards and stools by inviting sealed quotations. The supply order will be placed to the firm offering lowest rate item wise. Therefore, you are requested to send sealed quotations for Drawing Boards and stools by quoting lowest rates (inclusive off all taxes/Govt levis/duty etc.) The quotations should reach to the office of undersigned upto 12:15 hours on 14.06.2019. Quotations shall be opened at 12:30 Hours on 14.06.2019 at the office of undersigned. The bidders or their representative may be present at the time of opening of quotations. If Government of Punjab/ IKGPTU Mohali Campus-II declares holiday on above said date then the quotations will be open on next working day.

Specifications for Drawing Boards and stools are as follows:

Drawing Boards (Drawing attached)

Size-30" x 42" x 3/4 ", Pre-laminated Board, adjustable Top, 1" square pipe, tray below (with 1 1/4" square pipe) 1" powder Coated.

Stools

Round 15" diametyer (steel mesh) having 1" pipe and height 24" and stools round 15" diameter (steel mesh) 1" pipe and height 25 1/2", Powder coating.

Terms & Conditions:

1. The items to be delivered in IKGPTU Mohali Campus-II, Sector-115, Khunimajra, (Mohali) within 10 days of issuance of the supply order.
2. No advance payment will be made.
3. Payment will be released after the inspection of delivered goods/items and on receipt of satisfactory report.
4. University will not pay anything extra, as the rates invited are inclusive of all taxes/Govt. Levies/ Duty etc.
5. Please subscribe on envelop " QUOTATIONS FOR DRAWING BOARDS & STOOLS AND TO BE OPENED BY COMMITTEE ONLY".


Incharge 4/6/19
IKGPTU Mohali Campus-II

11/04/6/17

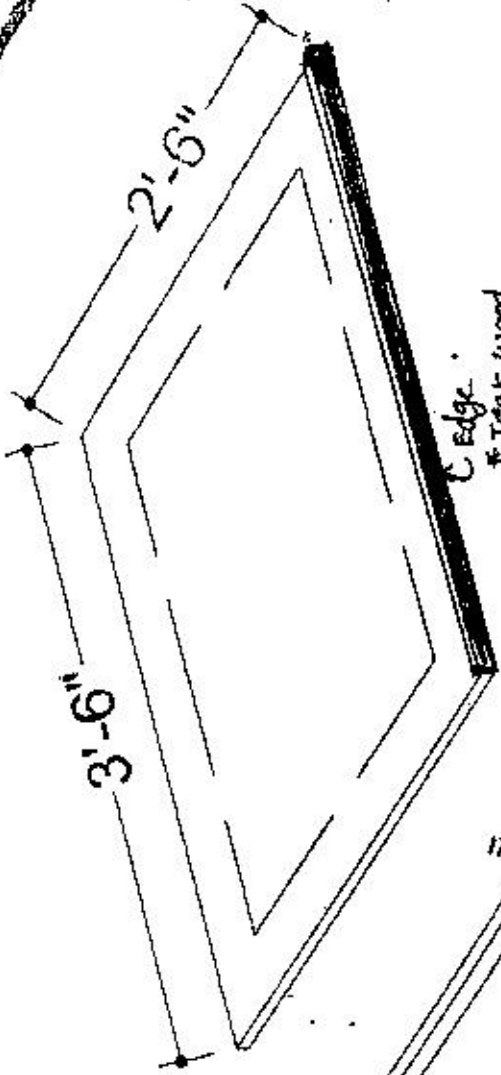
6

PRODUCED BY AN AUTODESK EDUCATION,

Handwritten signature

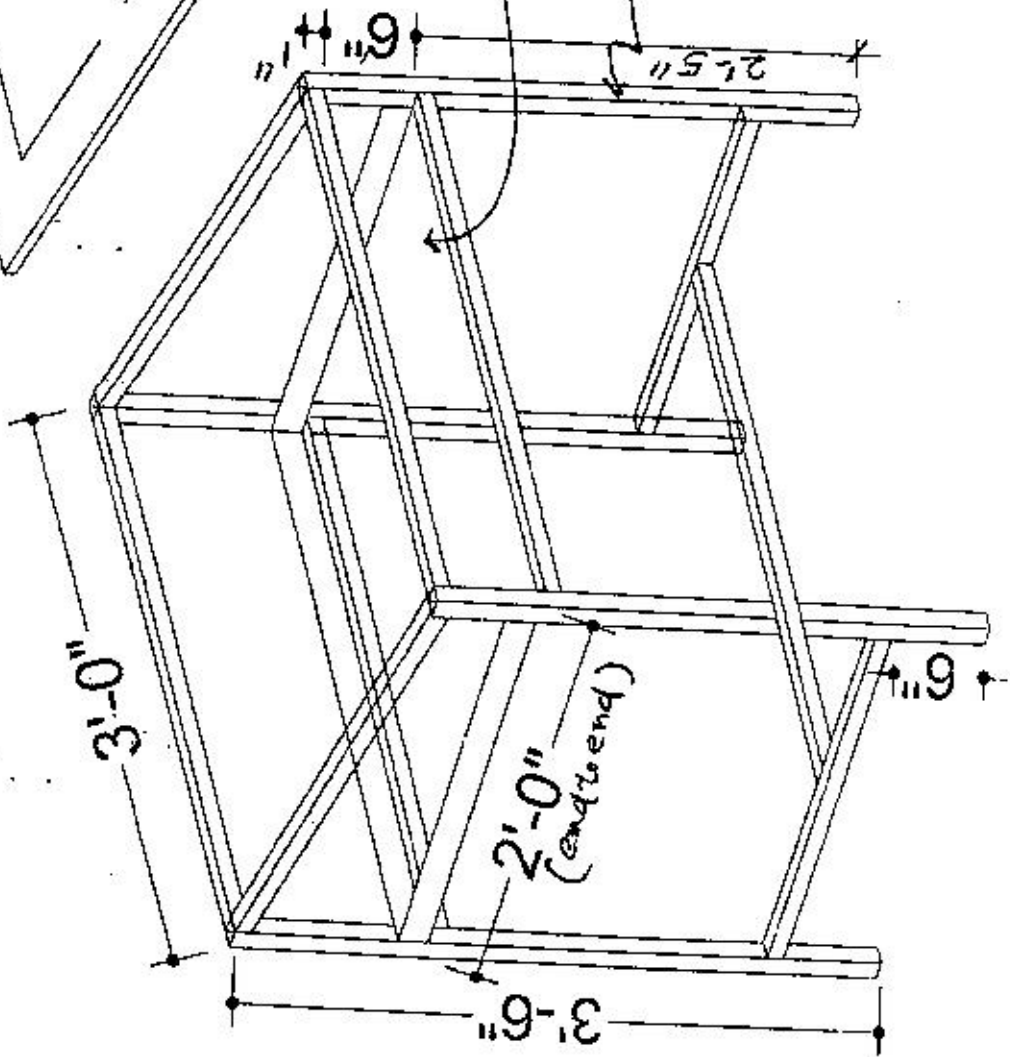
Handwritten signature

PRODUCED BY AN AUTODESK EDUCATIONAL PRODUCT



SINGLE SIDE LAMINATED BOARD
(SIZE 42" X 30" X 3/4")

shelf size (34" X 22")
20 Gauge
1" square pipe (23mm)
(16 gauge)

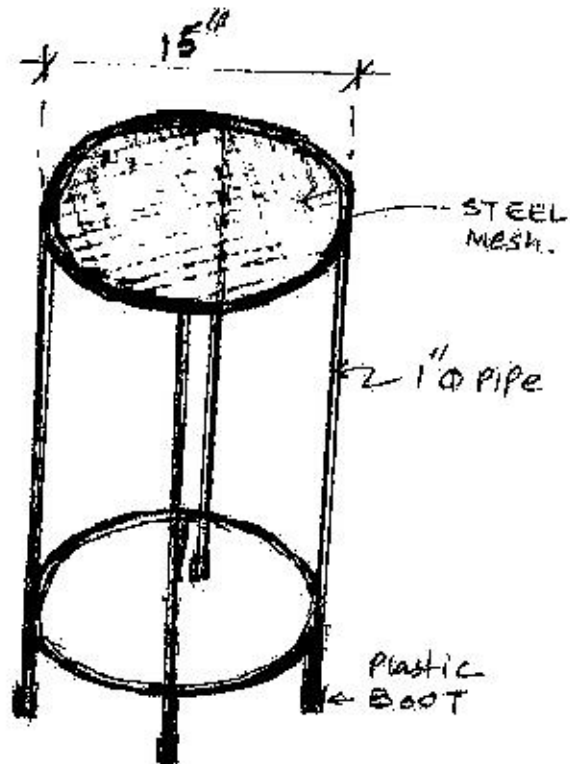


FRAME OF DRAFTING TABLE

Handwritten signature

100026

d/t | 04/6/19



Note:
* 20 Nos. ht. 24"
* 20 Nos. ht. 25 1/2"

DRAWING OF STOOL

Next to show